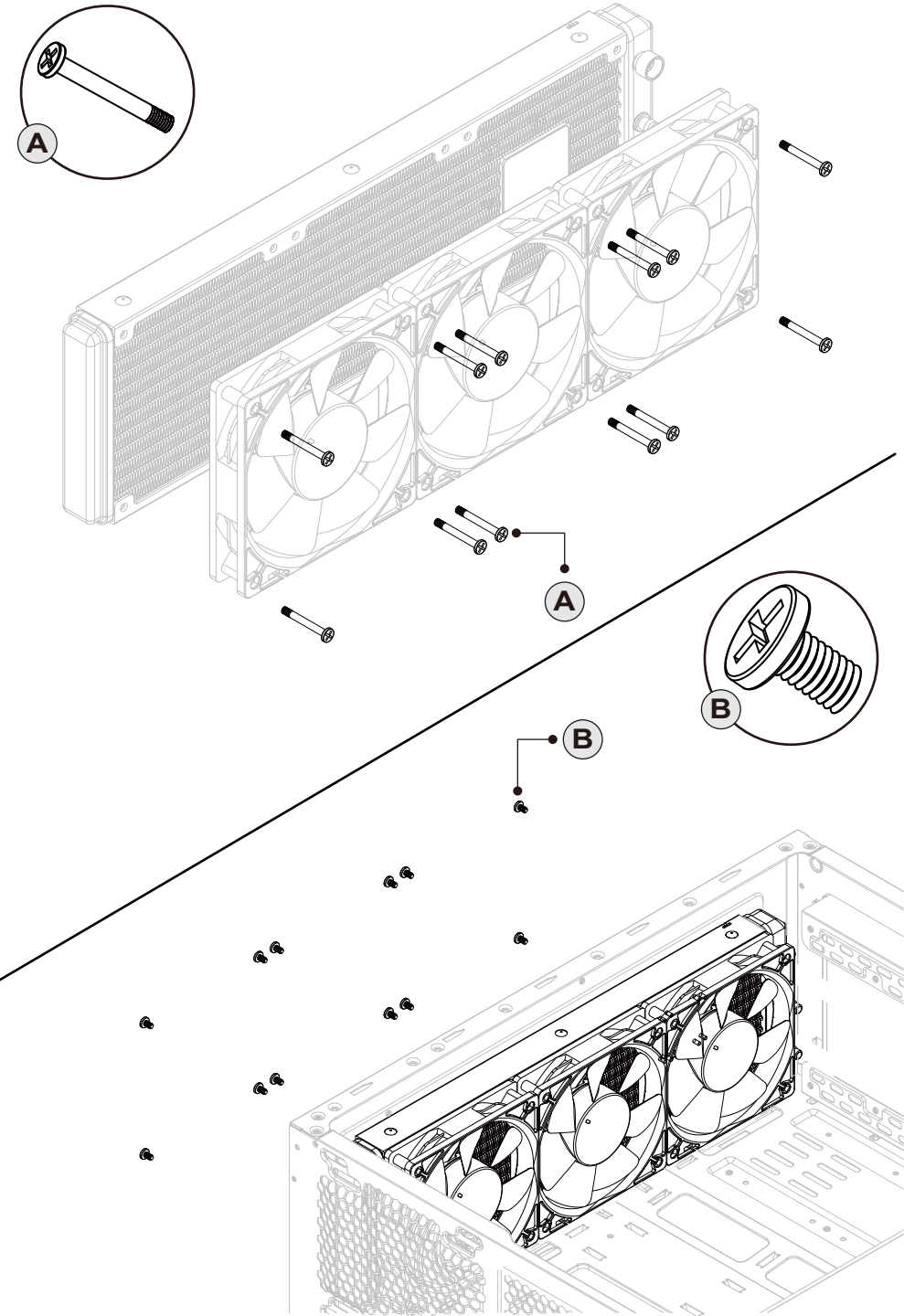


XE360-SP5

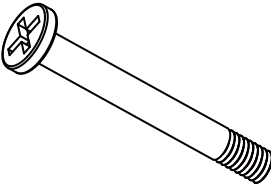

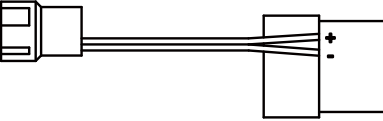
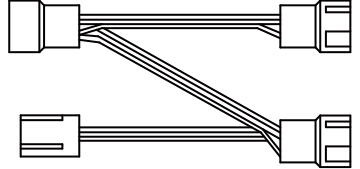
High Performance Triple 120mm AIO Liquid Cooler for AMD SP5

User manual

www.silverstonetek.com



Contents

 <p>A Fan Screw x12</p>	 <p>B Case Screw x12</p>
 <p>C 4pin Peripheral adapter cable x1</p>	 <p>D 3 in 1 Fan cable x1</p>

1. Remove the protection cover of thermal interface material (TIM) or thermal grease. The required amount of TIM has been pre-applied on the bottom of the heat sink. Inspect pre-applied TIM for any damage.
2. Place the heat sink directly on top of the CPU (Figure 1) so that the six heat sink mounting screws are aligned with and seated on the six heat sink mounting studs or nut standoffs on the socket stiffener frame.
3. Use a screwdriver with Torx T20 bit and adjust the screwdriver torque setting to 12.5~15.0 kgf-cm (10.8~13.0 lbf-in). Before turning on the screwdriver, make sure that the screwdriver bit is fully engaged in the cavity of the heat sink mounting screw head. Keep heat sink mounting screw vertical during installations.
4. Tighten the two diagonal heat sink mounting screws, i.e. the #1 and #2 screws (Figure 2), Then do the same with the remaining four diagonal heat sink mounting screws.

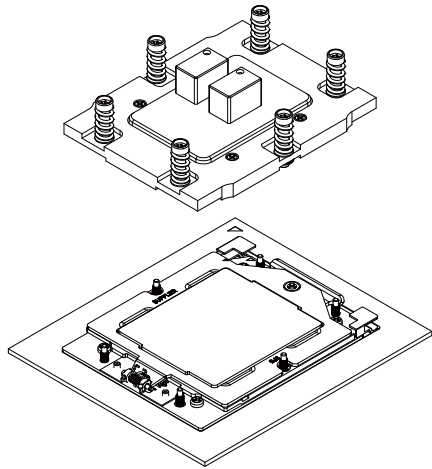


Figure 1

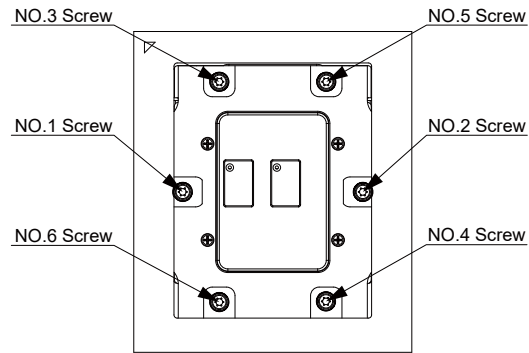


Figure 2

5. Follow the diagonal installation pattern on all six heat sink mounting screws to ensure that the bottom of the heat sink is properly seated on the CPU and to prevent the heat sink from tilting.

